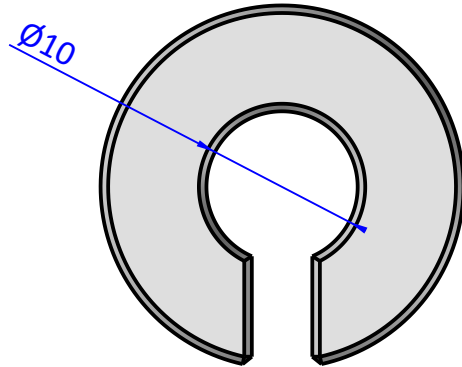
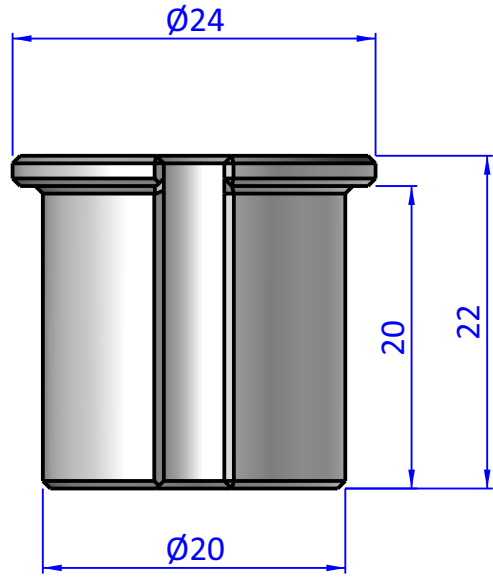
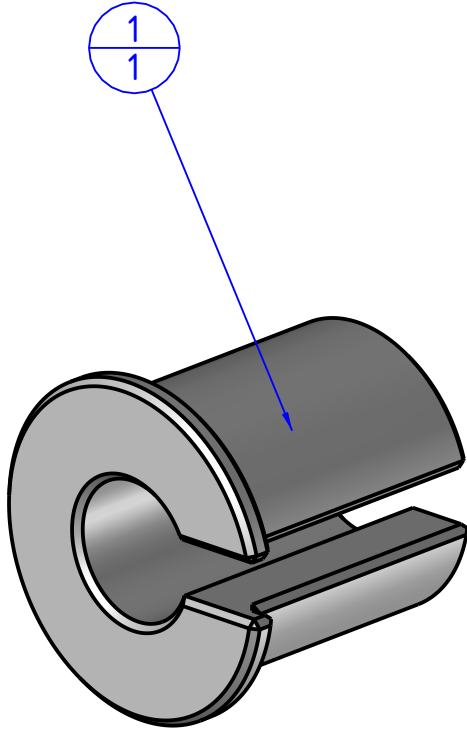

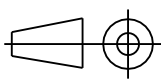


Item	Name	Q.ty
1	RID.2010	1



THE PROPERTY OF THE DRAWING IS ESTABLISHED BY LAW. IT IS FORBIDDEN TO PRODUCE OR SHOW IT TO THIRD PART, WITHOUT A WRITTEN AGREEMENT.

Format A4 UNI 936-76	 FPS SERVICES AUTOMATION			DESIGNED FROM FPS Automation	REVIEW A	
	GENERAL TOLERANCE UNI - ISO 2768 CLASSE f	DESCRIPTION CA.RID.2010	DATE 26/10/2023	WEIGHT 0,013kg		
			CODE CA.RID.2010			